

# The Planck Mass Particle Finally Discovered!

## The True God Particle

### Good bye to the Point Particle Hypothesis!

Espen Gaarder Haug\*  
Norwegian University of Life Sciences

July 27, 2016

#### Abstract

In this paper we suggest that one, single fundamental particle exists behind all matter and energy. We claim that this particle has a spatial dimension and diameter equal to the Planck length and a mass equal to half of the Planck mass. Further, we will claim this particle is indivisible, that is it was never created and can never be destroyed. All other subatomic particles, in spite of having much lower masses than the Planck mass, are easily explained by the existence of such an indivisible particle. Isaac Newton stated that there had to be a fundamental particle, completely hard, that could not be broken down. He also claimed that light consisted of a stream of such particles. Newton's particle theory was very similar to that of the ancient atomists Democritus and Leucippus; see, for example, [1, 2]. However, the atomist view of an indivisible particle with spatial dimensions has generally been pushed aside by modern physics and replaced with hypothetical point particles and the mysterious wave-particle duality.

Although the Planck mass is enormous compared to any known sub-atomic particles, including the Higgs particle, we will explain how all known sub-atomic particles contain and are created from the Planck mass. In this paper we will show that the Planck mass is found everywhere at the subatomic level and that the Planck mass probably consists of two indivisible particles. There are good reasons to believe that the Planck mass can only exist for an instant equal to a Planck second. We show that what modern physics considers a rest mass is, in reality, "objects" rapidly fluctuating between their mass state and an energy state.

Our new view of matter and energy seems to address a series of unsolved problems in modern physics, including the question of why we have not observed a particle with a mass close to the Planck mass, despite the fact that the Planck mass plays an important role in certain aspects of theoretical physics. We also show how our view of matter and energy is consistent with the Heisenberg's Uncertainty principle, but gives a different and more logical interpretation than the interpretation given by modern quantum mechanics. Furthermore, based on this new view of matter and energy, we can even unify electromagnetism and gravity, as basically shown by [3] already.

**Key words:** Planck mass, Planck particle, Motz particle, indivisible particle, energy, mass, spatial dimension, Heisenberg's Uncertainty principle .

## 1 Introduction

Isaac Newton assumed that everything, including light, consists of solid, hard, impenetrable moving particles or, in Newton's own words, [4]:

*All these things being consider'd it seems probable to me, that God in the Beginning form'd Matter in solid, massy, hard, impenetrable, movable Particles, of such Sizes and Figures, and in such Proportion to Space, as most conduce to the End for which he form'd them; and that these primitive Particles being Solids, are incomparably harder than any porous Bodies compounded of them; even so very hard, as never to wear or break in pieces; no ordinary Power being able to divide what God himself made one in the first Creation. While the Particles continue entire, they may compose bodies of one and the same Nature and Texture in all Ages; But should they wear away, or break in pieces, the Nature of Things depending on them, would be*

---

\*e-mail [espenhaug@mac.com](mailto:espenhaug@mac.com). Thanks to Victoria Terces for helping me edit this manuscript.

*changed. Those minute rondures, swimming in space, from the stuff of the world: the solid, coloured table I write on, no, less than the thin invisible air I breathe, is constructed out of small colourless corpuscles; the world at close quarters looks like the night sky – a few dots of stuff, scattered sporadically through and empty vastness. Such is modern corpuscularianism.*

The corpuscular particles of Newton were very similar to the ancient atomist view of matter: that everything consisted of indivisible particles moving in the void. The void can be imagined as empty space, but it is more than that, as all observable subatomic particles consist of indivisible particles and void; see [5] for an in-depth discussion on this. In this paper we will suggest that by reintroducing an indivisible particle we will be able to tackle some of the unsolved problems in modern physics. We suggest that the modern hypothesis of point particles, rather than a fundamental indivisible particle with spatial dimensions, is one of the main causes of much of the non-intuitive interpretations in some areas of modern physics.

Before we reunite the Newton corpuscular God particle, which is rooted in ancient atomism, with modern physics we will briefly discuss the Planck mass and the Planck particle. The Planck mass and a series of Planck units play an important role in modern physics. And yet even physicists involved with the Large Hadron Collider have not observed a subatomic particle with a mass even close to the Planck mass.

In 1906, Max Planck introduced the following mass  $m_p = \sqrt{\frac{\hbar c}{G}} \approx 2.17651 \times 10^{-8}$  kg, see [6]. This is an extremely large mass compared to the mass of all known subatomic particles. The Planck mass is about the same as that of a flea egg; to put it in context – the mass is so large that we can relate it to something macroscopic. The Planck mass is equal to  $1.3 \times 10^{19}$  the proton masses and about  $2.4 \times 10^{22}$  the electron masses. Its mass is enormous compared to any subatomic particle and even to the mass of the heaviest atoms. Table 1 list the mass as well as the reduced Compton wavelength of some elementary particles. As we can see from the table, even the large Higgs particle mass is incredibly small compared to the Planck mass. While the Planck mass is very large, its reduced Compton wavelength:  $\frac{\hbar}{m_p c}$  is equal to the Planck length  $l_p \approx 1.6162 \times 10^{-35}$  meter, and this is incredibly small compared to the reduced Compton wavelength of all known particles in present day particle physics.

Table 1: The mass and reduced Compton wavelength of some particles.

Particle	Mass	Number of Planck masses	Reduced Compton Wavelength
Planck mass	2.177E-08	1	1.616E-35
Higgs particle	2.230E-25	9.760E+16	1.577E-18
Neutron	1.675E-27	1.299E+19	2.100E-16
Proton	1.673E-27	1.301E+19	2.103E-16
Electron	9.109E-31	2.389E+22	3.862E-13

Lloyd Motz, while working at the Rutherford Laboratory, [7, 8, 9] suggested that there was probably a very fundamental particle with a mass equal to the Planck mass. Motz named this particle the *uniton*.<sup>1</sup> Motz suggested that the uniton could be the most fundamental of all particles and that all other particles were initially made of unitons. Motz acknowledged that his unitons (Planck mass particle) had far too much mass compared to known sub-atomic masses. He tried to get around this issue by claiming the unitons had radiated most of their energy away:

According to this point of view electrons and nucleons are the lowest bound states of two or more unitons that have collapsed down to the appropriate dimensions gravitationally and radiated away most of their energy in the process. – Lloyd Motz

Others have suggested that there were plenty of Planck mass type particles around just after the Big Bang, see [11], but that most of the mass of these super heavy particles has radiated away. Modern physics has also suggested a hypothetical Planck particle that has  $\sqrt{\pi}$  more mass than the uniton suggested by Motz. Some physicists claim that such particles are micro-black-holes [12]. Planck mass particles has even been suggested as a candidate for cosmological dark matter, [13, 14]. Others again, like Crothers and Dunning-Davies [15], have strongly criticized the black-hole interpretation of the Planck particle and have even questioned the existence of the Planck particle. Even the existence of Planck mass size particles reminds a unsolved mystery. We think current interpretations of the Planck mass and Planck type particles do not make much sense and instead we offer a fresh alternative based on an ancient way of looking at matter and energy.

<sup>1</sup>See also [10] that introduces a similar particle that he calls Maximons.

Here we will assume there ultimately is only one fundamental particle and this particle makes up all other particles as well as energy. We will assume that this particle has the following properties:

1. Indivisible particle with a diameter of  $l_p$  and a “rest” mass equal to half that of the Planck mass.
2. This indivisible particle is always traveling at a speed of light,  $c$  as measured with Einstein-Poincaré synchronized clocks.
3. This particle travels in the void (“empty space”). This is necessary, so the particles have something to travel in.

In other words, our indivisible particle has half the mass as suggested by Motz. Instead of assuming most of this super heavy particle mass has radiated away, we will suggest that all mass (and energy) of the indivisible particle “hides” inside each known sub-atomic particle and even inside energy. To get this to work we will have to understand energy and mass from a new perspective, that is from a much simpler and more logical perspective than given by modern particle physics.

If the indivisible particles make up both energy and matter, then how can energy and matter appear to be so different? As first explained by Haug [5] based on atomism, the only difference between energy and matter is how the indivisible particles move relative to each other. Energy is simply indivisible particles moving in the same direction (at the speed of light) after each other, while matter is indivisible particles moving back and forth at the round-trip speed of light and counter-striking with each other.

Haug [5] has shown how this view of matter and energy leads to all of the well known formulas of special relativity theory, including  $E = mc^2$  and  $E = \frac{mc^2}{\sqrt{1-\frac{v^2}{c^2}}}$ , as well as relativistic Doppler shift and

more. For example, length contraction has to do with a reduction in the void-distance between a group of indivisible particles. Still, Haug [5] has not shown before how his theory directly can be linked to the Planck mass as well as known subatomic particles such as the electron. That is what I will show here. We will define mass as existing only at the instant when two indivisible particles collide, what we will call a counter-strike. At a typical collision, there is normally some damage, but as the indivisible particles are indivisible and have no parts, they are unchanged after collision, so counter-strike is a better word to describe such an event. All they do at counter-strike is to change the direction of movement. What two fully hard bodies do when they collide was one of the most difficult and significant questions during the 16th century; giants like Newton and Descartes attempted to answer this question, but it was not resolved at that time, see [4].

As shown by [3, 16] the Planck mass can also be re-written (without changing its value) as

$$m_p = \sqrt{\frac{\hbar c}{G}} = \frac{\hbar}{l_p} \frac{1}{c} \approx 2.17651 \times 10^{-8} \text{ kg} \quad (1)$$

We will assume that the indivisible particle (the sole fundamental particle) has a mass of half the Planck mass, that is:

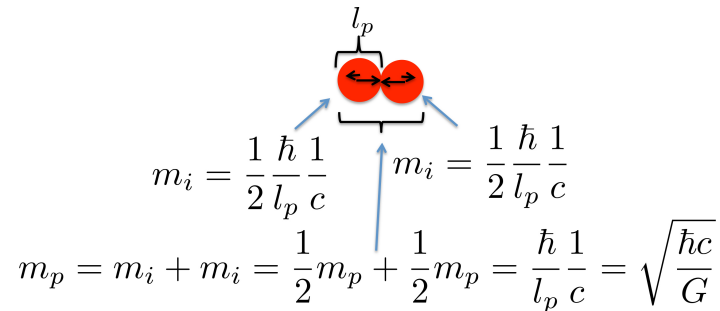
$$m_i = \frac{1}{2} m_p = \frac{1}{2} \frac{\hbar}{l_p} \frac{1}{c} = \frac{1}{2} \sqrt{\frac{\hbar c}{G}} \quad (2)$$

We use the notation  $m_i$  as mathematical symbol for the indivisible particle mass. Still, at all instants when an indivisible particle does not collide it is energy and this is then its potential mass. More precisely, indivisible particles that are, at any instant, not counter-striking (colliding) are what can be considered as pure energy. When they are counter-striking, we can consider them as half the Planck mass.

Even if this counter-strike collision only lasts for an instant, we will claim for hypothetical observable purposes that it lasts for one Planck second, that is  $t_p = \frac{l_p}{c}$ . This is because if we have a zero time interval, then how could we talk about mass or even observe any mass? Observations require time and due to the diameter of the indivisible particle, the minimum time interval we can measure hypothetically is the Planck time. With the caveat hypothetically, I am simply thinking that even if we had the most advanced equipment available, this is something that possibly only can be done in a thought experiment at this time. Even so, experimental physics and logic strongly point towards the atomist view of matter and energy. Later we will look at mass in a slightly different view that involves continuous time.

Based on Einstein’s formula  $E = mc^2$  we know that a mass at rest contains a large energy potential. We will here claim that energy (photons, electromagnetism) also has built-in mass potential. This lies in contradiction with modern physics interpretations that claim photons have absolutely zero mass, that they are massless. In our view, photons have zero rest mass as long as they are not counter-striking; in this case, the photons have only potential mass. The photons are nothing other than indivisible particles moving after each other in the same direction (similar to the Newton model of light). Some will possibly immediately claim this is invalid based on the modern wave particle view. We will however claim that the experiments used to support the wave-particle duality stand on thin ground. We are not the first ones questioning the wave-particle hypothesis, see for example [17, 18, 19, 20, 21].

Only the counter-striking between indivisible particles produces what we can call mass, or rather are at the origin of what we call mass. Just at the instant two indivisible particles counter-strike, they are combined a Planck mass, as illustrated in this figure 1



$$m_i = \frac{1}{2} \frac{\hbar}{l_p} \frac{1}{c}$$

$$m_i = \frac{1}{2} \frac{\hbar}{l_p} \frac{1}{c}$$

$$m_p = m_i + m_i = \frac{1}{2} m_p + \frac{1}{2} m_p = \frac{\hbar}{l_p} \frac{1}{c} = \sqrt{\frac{\hbar c}{G}}$$

Figure 1: Illustration of Planck mass. A Planck mass exists in the moment two indivisible particles counter-strike. Each indivisible particle has a mass of half the Planck mass.

The small arrows illustrate that the indivisible particles will immediately move in opposite directions after a counter-strike. So even if the Planck mass is incredibly large compared to known sub-atomic particles, it only lasts for an instant before being dissolved into energy (non colliding indivisible particles) again. The shortest time (the instant) we hypothetically can measure the existence of a Planck mass is likely to be a Planck second  $t_p = \frac{l_p}{c}$ , which is simply the diameter of the indivisible particle divided by the speed of light. We can say that the Planck mass lasts only a Planck second. Just after the instant of the counter-strike (the creation of mass), the two indivisible particles separate and are no longer a mass; they are now energy again. Each indivisible particle, when not counter-striking, only has potential mass, but no rest-mass. Each indivisible particle then has potential mass equal to half the Planck mass. Only at counter-strike the indivisible particles are at rest for an instant, so they have rest mass but only for a Planck second from an observable point of view.

Interesting to note in this context is that the Larmor radiation formula [22], when working with the charge of Planck masses, will radiate into energy within a Planck second, see [23]. However the interpretation of radiation from Planck masses will be very different here than in modern physics. Despite their many very accurate formulas of energy, it is important to note that modern physics actually has no deep explanation of what exactly energy is; as Richard Feynman once said:

*It is important to realize that in physics today, we have no knowledge what energy is.*

Radiation into energy from a modern atomist point of view simply means the two indivisible particles have left their counter-striking state; this likely happens in an instant, but from an observer's point of view it will take a Planck second to see this change, even in the best possible thought experiment set-up. The Larmor formula further indirectly predicts that the Planck acceleration is from zero to the speed of light in a Planck second. The interpretation of this from the atomist point of view is simply that the indivisible particle, upon a counter-strike with another indivisible particle, changes its course of direction instantaneously and continues at the speed of light, but now it is moving in the opposite direction from its original path. Even if at the deepest level this happens instantaneously, it would theoretically take a minimum of one Planck second to measure this acceleration. In atomism the only things that exist at the depth of reality are indivisible particles and void, and the only thing we can observe is counter-strikes between indivisible particles. The diameter of an indivisible particle is, in our theory, equal to the Planck length  $l_p$  and since the indivisible particles always moves with speed of light  $c$ , it would take a Planck second to see an indivisible particle leave or arrive. Even the most precise measuring device would have to be constructed of indivisible particles with diameter  $l_p$ .

So far we have discussed what we assume the Planck mass particle is, but nobody has ever observed a Planck particle and it is fair to ask how is all this related to our modern observed particles that are so much smaller than the Planck mass. One can think of an electron as two indivisible particles moving back and forth over a distance equal to the twice the reduced Compton wavelength of the electron (each moving the reduced Compton wavelength for each counter-strike). That is to say, each indivisible particle will counter-strike every time it has moved a distance equal to the reduced Compton wavelength.<sup>2</sup>

<sup>2</sup>Bear in mind that the mutual velocity (also known as the closing speed) as observed from a reference frame different than the two indivisible particles  $2c$  even under Einstein's special relativity theory, see [24] for a historical overview

The indivisible particle is moving along reduced Compton wavelength at the speed of light. Because the reduced Compton wavelength of the electron is much longer than the diameter of the indivisible particle, this means there are only  $\frac{c}{\lambda_e}$  counter-strikes per second. If we assume the hypothetical time to observe the counter-strike between two indivisible particles is  $\frac{l_p}{c}$ , then the amount of counter-strikes in a electron can be seen as a fraction of  $\frac{l_p}{\lambda_e}$  relative to a Planck mass, even if the electron consists of a Planck mass (counter-strikes).

It is very important that the round-trip speed of the indivisible particle is  $c$ . If the speed was slower or faster than this, then the indivisible particle model explaining mass as counter-strikes would not have worked to describe such things as the mass of the electron. One should also see this paper in connection with the many derivations done by Haug 2014 showing that special relativity can be derived directly from indivisible particles and void.

Each time each the indivisible particles that make up the electron have traveled the reduced Compton wavelength of the electron, they counter-strike. In other words, the electron is in reality in a mass state only a fraction of the time. This is why the Planck mass can be so enormous compared to the electron rest mass and still make up the electron as well as any other subatomic particle. The number of transitions between mass and energy for example for an electron is  $7.76 \times 10^{20}$  times per second.

We can say the electron is  $\frac{l_p}{\lambda_e}$  fraction of a Planck mass. This means the electron must have a mass as a function of the Planck mass equal to the well known

$$m_e = \frac{l_p}{\lambda_e} m_p = \frac{1.6162 \times 10^{-35}}{3.86159 \times 10^{-13}} \times 2.17651 \times 10^{-8} \approx 9.1094 \times 10^{-31} \text{kg} \quad (3)$$

One could even say that all detected particles with so called rest mass never, even when at so called rest, are constantly in a mass state, but rapidly are going between being in a mass state when their indivisible particles are counter-striking and in an energy state when they are not counter-striking. This naturally means matter and energy are almost the same and it explains why we can turn mass into energy and energy into mass. We can say the energy in a rest mass is used to maintain the mass and the potential mass is used to maintain the energy. The shorter the reduced Compton wavelength, the more frequent will the indivisibles making up the mass counter-strike and the more mass the particle will contain. With a very short Compton wavelength, the mass will approach the Planck mass, because it then will counter-strike very frequently. Further, we can say that an indivisible particle is matter-like when it travels back and forth in a "stable" pattern, counter striking with other indivisible particles, and it is energy-like when it is freed from this pattern.

Figure 2 illustrates an electron

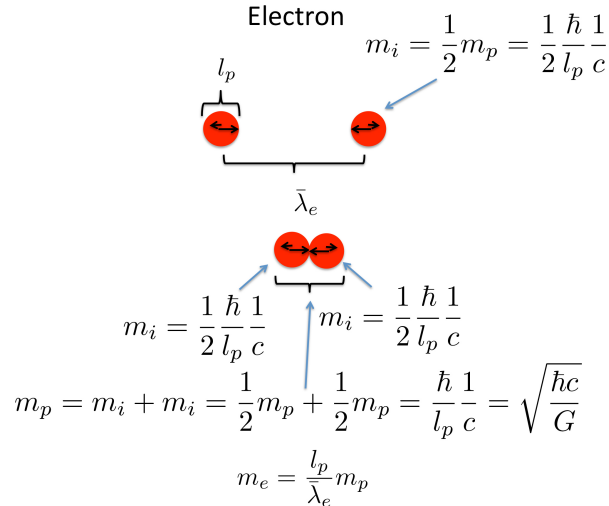


Figure 2: Illustration of Electron mass. An Electron is much smaller than the Planck mass as the mass event only takes up  $\frac{l_p}{\lambda_e}$  of the size (length) of the electron.

Every observable particle mass can mathematically be described as

$$m = \frac{l_p}{\lambda} m_p = \frac{l_p}{\lambda} \frac{\hbar}{l_p} \frac{1}{c} \quad (4)$$

where  $\bar{\lambda}$  is the reduced Compton wavelength of the particle of interest. The factor  $\frac{l_p}{\bar{\lambda}}$  is the factor deciding how often the particular particle ticks (counter-strikes) compared to the maximum mass of a subatomic particle, which is the Planck mass. Each so-called elementary particle is nothing more than (minimum) two indivisible particles moving back and forth over a distance and counter-striking. What we consider particles are in reality not constantly in a mass state, that is they do not have continuously internal counter-strikes between the indivisible particles making them up. Particles are like discrete ticking clocks and at each tick they are a Planck mass. The shorter the reduced Compton wavelength is, the more frequent counter-strikes (ticks) will be and therefore the larger the mass of the particle is. In practice things are more complicated, one would also need to take into account surrounding indivisible particles entering and leaving the mass (space) of interest.

For indivisible particles traveling after one another in the same direction (energy) (and not back and forth), there will not be counter striking (as long as they are not colliding with other particles going in their way). This means that their equivalent matter distance (reduced Compton wavelength) is  $\bar{\lambda} \approx \infty$  and we can therefore say that a non counter-striking indivisible particle must have the following rest-mass

$$m_i = \frac{1}{2} \frac{\hbar}{\infty} \frac{1}{c} = 0 \quad (5)$$

Zero rest mass simply means that even though it is not counter-striking, the indivisible particle still has a potential mass of half the Planck mass. The potential mass is turning into “rest mass” when it is counter-striking another indivisible particle; this is the only moment during which it is at rest. More precisely, that is the only moment it changes its direction, and in the instant between changing direction we can say it is at “rest”. Rest mass is related to the number of times indivisible particles are at rest (counter-striking), and this again is dependent on the so-called reduced Compton wavelength of the subatomic particle. Under atomism the reduced Compton wavelength has nothing to do with a wave, but has to do with the void distance between the indivisible particles making up the mass.

The void-distance between indivisible particles in a beam of energy, that is indivisible particles moving after each other will have very different implications than an identical reduced Compton wavelength. For example, two indivisible particles traveling after each other could have a void-distance (what modern physics think is a wavelength) equal to the reduced Compton wavelength of the electron. Still this would not be the matter length of the indivisibles, as a matter length (reduced Compton wavelength) is the length an indivisible particle travels back and forth in a stable pattern in between each counter-strike.

Table 2 illustrates how all masses theoretically can be constructed from two indivisible particles that together have a mass equal to the Planck mass.

Table 2: The table shows the mass in kg and the mass in time-speed for some sub-atomic particles.

Particle	Mass ( kg )	Time-speed ( s/m )
Indivisible particle	$m_i = 1.088\text{E-}08$	None
Planck mass particle (Motz)	$m_p = 2.177\text{E-}08$	3.34E-09
Higgs particle	$m_h = \frac{l_p}{\lambda_h} m_p = 2.230\text{E-}25$	3.42E-26
Neutron	$m_N = \frac{l_p}{\lambda_n} m_p = 1.675\text{E-}27$	2.57E-28
Proton	$m_P = \frac{l_p}{\lambda_p} m_p = 1.673\text{E-}27$	2.56E-28
Electron	$m_e = \frac{l_p}{\lambda_e} m_p = 9.109\text{E-}31$	1.40E-31

Table 3 lists a series of properties of the assumed indivisible particle. What is of great importance is that the indivisible particle must always travel with the speed<sup>3</sup> of light  $c$ , its diameter must be  $l_p$  and its mass must be half the Planck mass, and the Planck mass last for a Planck second as seen from an observer. Like the atomist Giordano Bruno<sup>4</sup>, we are assuming that all indivisible particle are uniform and sphere shaped; this leads to a series of properties such as the circumference, surface area, and volume that also are listed in the table. To what degree these particular properties (below the line) potentially will have any importance in deriving useful physics formulas or to give us deeper insight in existing physics is unclear.

Based on the analysis above, the mass of this most fundamental particle is half the Planck mass and this also means its mass is related to half the reduced Planck constant,  $\frac{1}{2}\hbar$ , rather than  $\hbar$ . The constant  $\frac{1}{2}\hbar$  has recently been described by [26] as the forgotten constant. We think indeed  $\frac{1}{2}\hbar$  can be seen as an even more fundamental constant than  $\hbar$ , since the indivisible particle seems to be the only truly fundamental

<sup>3</sup>As measured with Einstein-Poincaré synchronized clocks.

<sup>4</sup>Who was burnt by the stake for his view.

Table 3: The table shows the properties of the indivisible particle.

Property	SI Units	Dimensionless $l_p = 1, c = 1$
Diameter	$D_i = l_p \approx 1.616\text{E-}35$ m	1 ( L )
Radius	$r_i = \frac{1}{2}l_p \approx 8.081\text{E-}36$ m	0.5 ( L )
Round-trip speed	$c = 299,792,458$ m/s	1 ( L/T )
Potential mass at hit	$m_i = \frac{1}{2}m_p = \frac{1}{2}\frac{\hbar}{l_p} \frac{1}{c} \approx 1.088\text{E-}08$ kg	3.2625...( M )
Potential mass at hit	$m_i = \frac{1}{2}m_p = \frac{1}{2}\frac{1}{c} \approx 1.668\text{E-}09$ time-speed	0.5 ( T/L )
Energy	$E_i = \frac{1}{2}m_p c^2 = \frac{1}{2}\frac{\hbar}{l_p} c \approx 978,074,758$ J	3.2625.. .
Charge	$q_i = \frac{1}{2}\sqrt{\frac{\hbar}{c}}\sqrt{10^7} \approx 9.38\text{E-}19$ C	4,038.88...
<b>Other properties with potential future interest:</b>		
Circumference	$C_i = \pi l_p \approx 5.077\text{E-}35$ m	$\pi$ ( L )
Sphere surface area	$A_i = \pi l_p^2 \approx 8.206\text{E-}70$ $m^2$	$\pi$ ( $L^2$ )
Sphere volume	$V_i = \frac{1}{6}\pi l_p^3 \approx 2.210\text{E-}105$ $m^3$	$\frac{1}{6}\pi$ ( $L^3$ )
Equivalent square area	$l_p^2 = 2.612\text{E-}70$ $m^2$	1 ( $L^2$ )
Equivalent cube volume	$l_p^3 = 4.222\text{E-}105$ $m^3$	1 ( L )

particle making up all energy and matter. D'Angelo also introduces the Planck circumference identical to the one listed in the table here and links it up towards atomism.<sup>5</sup>

## 2 Mass as kg and Mass as Time-Speed

In modern physics, mass is typically given in the notation of kg. For example a Planck mass in kg is given by

$$m_p = \sqrt{\frac{\hbar c}{G}} = \frac{\hbar}{l_p} \frac{1}{c} \approx 2.17651 \times 10^{-8} \text{kg} \quad (6)$$

Further, a electron mass is given by

$$m_e = \frac{l_p}{\lambda_e} \sqrt{\frac{\hbar c}{2G}} = \frac{\hbar}{\lambda_e} \frac{1}{c} \approx 9.1094 \times 10^{-31} \text{kg} \quad (7)$$

Both  $G$  and  $\hbar$  is related to kg. In 2014, Haug has shown that mass also can be derived and analyzed from atomism without kg and without relation to  $G$ . Haug has also introduced what he call time-speed. As we have explained above, mass is actually related to counter-strikes between indivisible particles. Such counter-strikes are not only the foundation of mass, but they are also the foundation of time. Only counter-strikes can cause observable changes and time is change. Each counter-strike (mass event) can be seen as a tick of time. Every subatomic particle can be seen as a discrete clock with its own clock frequency, that is number of ticks per second. With time-speed we simply think about the number times the indivisibles counter-strike compared to an ideal mass where there are continuous counter-strikes. We can think of a ideal fully solid mass where a series of Planck particles are laid out next to each (or approximately next to each other). The indivisible particles always move at the speed of light and if they are lying approximately side-by-side, then they will continuously counter-strike. This means the time-speed of a Planck mass can be described as simply

$$\hat{m}_p = \frac{l_p}{l_p} \frac{1}{c} = \frac{1}{c} = 3.33564095198152 \times 10^{-09} \text{ continuous seconds per meter} \quad (8)$$

That is to say, the dimension of a mass in the form of time-speed is  $\frac{T}{L}$ . Such an ideal mass is very useful for standardizing mass and comparing other masses to it. Continuously counter-striking can be seen as a continuous clock. For every meter a indivisible particle moves, it can maximum counter-strike an infinite number of times, or in other words it is can tick 3 continuous Nano seconds for every meter it moves. Just as the Planck mass in kg  $2.17651 \times 10^{-8}$  can be seen as the most fundamental kg mass, then  $\frac{1}{c} = 3.33564095198152 \times 10^{-09} \approx 3$  Nano seconds per meter, can be seen as the equivalent continuous

<sup>5</sup>I think D'Angelo has important points related to reintroducing  $\frac{1}{2}\hbar$  and also the circumference of the indivisible particle. I however doubt that the constant he calls the Democritean unit  $Y' = 8.134865168 \times 10^{-54}$  has anything directly to do with the indivisible particles other than being another constant useful for some calculation purposes. Still, only time can tell if there is more to it.

time-speed of a Planck mass. An electron does not have continuous counter-strikes, it is not a continuous ticking clock. An electron is equivalent to

$$\hat{m}_e = \frac{l_p}{\lambda_e} \frac{1}{c} \approx 1.396 \times 10^{-31} \text{ continuous seconds per meter}, \quad (9)$$

continuous seconds per meter the indivisible particles moves. Thus if we know the Planck length and the reduced Compton wavelength of the mass of interest, we can do without the Planck constant or the Newton gravitational constant when we work with any mass, as well as with gravity. For an indivisible particle, we have the potential mass in form of time-speed equal to

$$\hat{m}_i = \frac{1}{2} \frac{l_p}{l_p} \frac{1}{c} = \frac{1}{2} \frac{1}{c} = \frac{1}{2c}, \quad (10)$$

this is also the rest mass when counter-striking. Further its rest mass when not counter-striking is

$$\hat{m}_i = \frac{1}{2} \frac{l_p}{\infty} \frac{1}{c} = 0. \quad (11)$$

That an indivisible particle has no rest mass when not counter-striking does not mean that it does not have a potential mass. It is energy and has potential mass (time-speed) when not counter-striking, and it has rest mass (time-speed) and potential energy when counter-striking. Again, this is a new way of looking at matter and energy. It is a logical way where energy and mass not are something undefined only described by mathematical formulas combined with a series of “buzz” words. By dressing up atomism in mathematics and combining it with insight from modern physics then physics is again truly Physics. Math is extremely useful and necessary to add precision to the language and to calculate what a theory predicts; this can then be compared to experiments and the world around us. Still, mathematical physics alone, no matter how well it fit experiments, is no guarantee for acquiring an in-depth understanding of reality. Atomism seems to come handy in here.

### 3 Heisenberg’s Uncertainty Principle in a New Perspective

Our new atomist view of matter and energy also seems to provide a new interpretation of Heisenberg’s Uncertainty principle. Heisenberg’s Uncertainty principle [27] is given by

$$\sigma_x \sigma_p \geq \frac{\hbar}{2} \quad (12)$$

where  $\sigma_x$  is considered to be the uncertainty in the position,  $\sigma_p$  is the uncertainty in the momentum, and  $\hbar$  is the reduced Planck constant. For an indivisible particle we must have

$$\begin{aligned} \sigma_x \sigma_p &\geq \frac{\hbar}{2} \\ \sigma_x &\geq \frac{\hbar}{2\sigma_p} \\ \sigma_x &\geq \frac{\hbar}{2m_i c} \\ \sigma_x &\geq \frac{\hbar}{2^{\frac{1}{2}} m_p c} \\ \sigma_x &\geq \frac{\hbar}{2^{\frac{1}{2}} \frac{\hbar}{l_p} \frac{1}{c}} \\ \sigma_x &\geq l_p \end{aligned} \quad (13)$$

And this is no surprise; as the indivisible particle has a diameter of  $l_p$ , we cannot really say its location is inside or in a point inside its spatial dimension. The indivisible particle naturally covers its entire spatial dimension. So our minimum “uncertainty” concerning the exact position of the particle (in a one-dimensional analysis) must naturally be  $l_p$ . The word “uncertainty” is not a well-described term here, as this is simply the one-dimensional minimum length the particle always must occupy, see figure 3.<sup>6</sup>

This removes some of the mystery of Heisenberg Uncertainty principle. From an atomist point of view, the Heisenberg Uncertainty principle simply confirms that at the very depth of reality we have indivisible

---

<sup>6</sup>Based on special relativity theory we have length contraction and we should think this was frame dependent. As shown by Haug 2014, the length contraction is simply related to reduced void-distance between indivisible particles and the indivisible particles themselves cannot contract. But all masses consist of indivisible particles moving back and forth in the void.



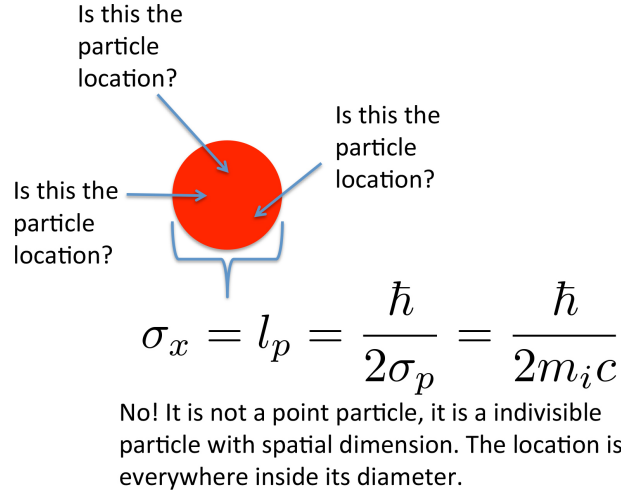


Figure 3: Illustration of Atomism interpretation of Heisenberg's Uncertainty principle for a indivisible particle with mass equal to half the Planck mass.

particles with spatial-dimension and a diameter of  $l_p$ , rather than the non-logical hypothetical point particles. Still, all observable subatomic particles, like electrons, for example, are neither point particles nor particles with a spatial dimension equal to their reduced Compton wavelength. All observable subatomic parties consist of indivisible particles and void, and the indivisible particles with spatial dimension are moving at the speed of light along the reduced Compton wavelength.

Further the momentum of an indivisible particle is given by

$$\begin{aligned}
 \sigma_x \sigma_p &= \frac{\hbar}{2} \\
 \sigma_p &= \frac{\hbar}{2l_p} \\
 \sigma_p &= \frac{1}{2} \frac{\hbar}{l_p}
 \end{aligned} \tag{14}$$

which we already know, since the momentum of an indivisible particle must be

$$p_i = m_i c = \frac{1}{2} \frac{\hbar}{l_p} \frac{1}{c} = \frac{1}{2} \frac{\hbar}{l_p} \tag{15}$$

We conclude that Heisenberg's Uncertainty principle formula makes logical sense for indivisible particles and opens up for a more logical interpretation based on a indivisible particle with spatial dimension and diameter  $l_p$ .

Next let us look at a sub-atomic particles with mass less than half the Planck mass, for example the electron,  $m_e$ . We claim the right interpretation here is given by using  $m_e c$  as the momentum of the electron, this gives the "uncertainty" in the position of

$$\begin{aligned}
 \sigma_x &\geq \frac{\hbar}{2m_e c} \\
 \sigma_x &\geq \frac{\hbar}{2 \frac{\hbar}{\lambda_e} \frac{1}{c}} \\
 \sigma_x &\geq \frac{\lambda_e}{2}
 \end{aligned} \tag{16}$$

This is fully consistent with atomism. The indivisible particle moves back and forth with the speed of light along the reduced Compton wavelength of the electron. And since the particle moves so fast, the best guess to minimize our error of where the indivisible particle is relies on choosing the mid point of the reduced Compton wavelength. Then we know it must be within half the reduced Compton wavelength of the electron. Similar can be done for any sub-atomic particles.

Modern physics is a top-down theory where one has tried to dig deeper and deeper with some wonderful success in formula derivations and predictions. However, modern physics is lost at understanding the depth of reality. Atomism on the other hand is mostly a bottom-up theory. This alone is not any guarantee for success, but the great progress in mathematical atomism in recent years is very promising. Based on atomism we “know” that an indivisible particle must take up a diameter of  $l_p$ . It is meaningless to try to pin point the location of the particle further, at least without talking about also the center of the particle etc. Atomism does not need Heisenberg’s Uncertainty principle to figure out the “uncertainty” (that is not really an uncertainty) in the particle extension. Still, atomism is fully consistent with the Heisenberg Uncertainty principle formula. Modern physics with the hypothetical idea of point particles often has the correct formulas but the interpretations seem to be far fetched. In addition, their formulas can often be broken down into simpler formulas based on Planck quantization as recently shown by [16, 25]

## 4 Conclusion

The Planck mass plays an important role in a series of mathematical calculations and analysis in modern physics. The Planck mass is enormous compared to the mass of any known sub-atomic particle and still its reduced Compton wavelength is much smaller than any known sub-atomic particle. It has been speculated that Planck mass size particles are related to micro black-holes. Here we have introduced a totally new interpretation of matter and energy. Haug 2014 has already shown that all mathematical end results from special relativity can be derived from atomism. However, he has not shown how his theory can be linked to known sub-atomic particles. Here we show that the indivisible particle, if having a potential mass equal to half the Planck mass, basically can explain the mass of any other subatomic particle. Based on this we claim that we have found the Planck mass particle. We even claim it cannot be found directly in any particle accelerator like the Large Hadron Collider. The only way to find the Planck mass particle is through the intellect. Atomism also provides a more logical interpretation of the Heisenberg Uncertainty principle than the interpretation given by modern quantum mechanics. It is in high time to abandon the point-particle idea and to rethink the particle wave duality – for this we must investigate atomism further.

## References

- [1] W. K. C. Guthrie. *The Presocratic Tradition from Parmenides to Democritus*. Cambridge University Press, 1965.
- [2] C. Taylor. *The Atomists: Leucippus and Democritus, Fragments and Translation with Commentary*. University of Toronto Press, 1999.
- [3] E. G. Haug. Unification of gravity and electromagnetism: GravityElectromagnetism: A probability interpretation of gravity. *www.viXra.org*, 2016.
- [4] W. Scott. *The Conflict between Atomism and Conservation Theory 1644 to 1860*. Elsevier, New York, 1970.
- [5] E. G. Haug. *Unified Revolution, New Fundamental Physics*. Oslo, E.G.H. Publishing, 2014.
- [6] M. Planck. *The Theory of Radiation*. Dover 1959 translation, 1906.
- [7] L. Motz. Gauge invariance and the structure of charged particles. *Il Nuovo Cimento*, 26(4), 1962.
- [8] L. Motz. A gravitational theory of the mu meson and leptons in general. *Rutherford Observatory, Columbia University*, 1966.
- [9] L. Motz. The quantization of mass. *Rutherford Observatory, Columbia University*, 1971.
- [10] M. Markov. Elementary particles of maximally large masses (quarks and maximons). *Soviet Physics JPT*, 24(3), 1967.
- [11] S. S. De. Quantum creation of highly massive particles in the very early universe. *International Journal of Theoretical Physics*, 2001.
- [12] G. M. Obermair. Primordial planck mass black holes (ppmbhs) as candidates for dark matter? *Journal of Physics, Conference Series*, 442, 2013.

- [13] J. H. Macgibbon. Can Planck-mass relics of evaporating black holes close the universe? *Nature*, 329, 1987.
- [14] V. Dokuchaev and Y. N. Eroshenko. Black hole atom as a dark matter particle candidate. *Advances in High Energy Physics*, 2014.
- [15] S. J. Crothers and J. Dunning-Davies. Planck particles and quantum gravity. *Progress in Physics*, 3, 2006.
- [16] E. G. Haug. The gravitational constant and the Planck units. a deeper understanding of the quantum realm. *www.vixra.org 1603.0207*, 2016.
- [17] L. Mayants. On probability theory and probabilistic physics – axiomatics and methodology. *Foundations of Physics*, 3.
- [18] L. Mayants. *The Enigma of Probability and Physics*. Fundamental Theories of Physics, Springer, 1984.
- [19] L. Mayants. Quantum physics as a particular domain of probabilistic physics. *International Journal of Theoretical Physics*, 33.
- [20] E. Panarella. Nonlinear behaviour of light at very low intensities: The “photon clump” model. *NATO Science Series: B: Advanced Science Institutes Series*, 162, 1987.
- [21] J. Dunning-Davies and R. L. Norman. The enigma that is light. <http://vixra.org/abs/1606.0206>, 2016.
- [22] J. J. Larmor. On the theory of the magnetic influence on spectra; and the radiation from moving ions. *Philosophical Magazine*, 5(271), 1897.
- [23] E. G. Haug. Gravity and static electricity: The same force at the Planck scale? *www.vixra.org April 12 2016*, 2016.
- [24] E. G. Haug. *Double Light Speed, History, Confusion and Recent Applications*. Working paper first posted at [www.espenhaug.com](http://www.espenhaug.com), 2015.
- [25] E. G. Haug. Planck quantization of Newton and Einstein gravitation. *International Journal of Astronomy and Astrophysics*, 6.
- [26] V. R. D’Angleo. The 13/12 schematic of thirteen fundamental constants and their twelve respective ratios, that give rise to all constants. <http://vixra.org/pdf/1607.0172v1.pdf>, 2016.
- [27] W. Heisenberg. Über den anschaulichen inhalt der quantentheoretischen kinematik und mechanik. *Zeitschrift für Physik*, (43):172–198, 1927.